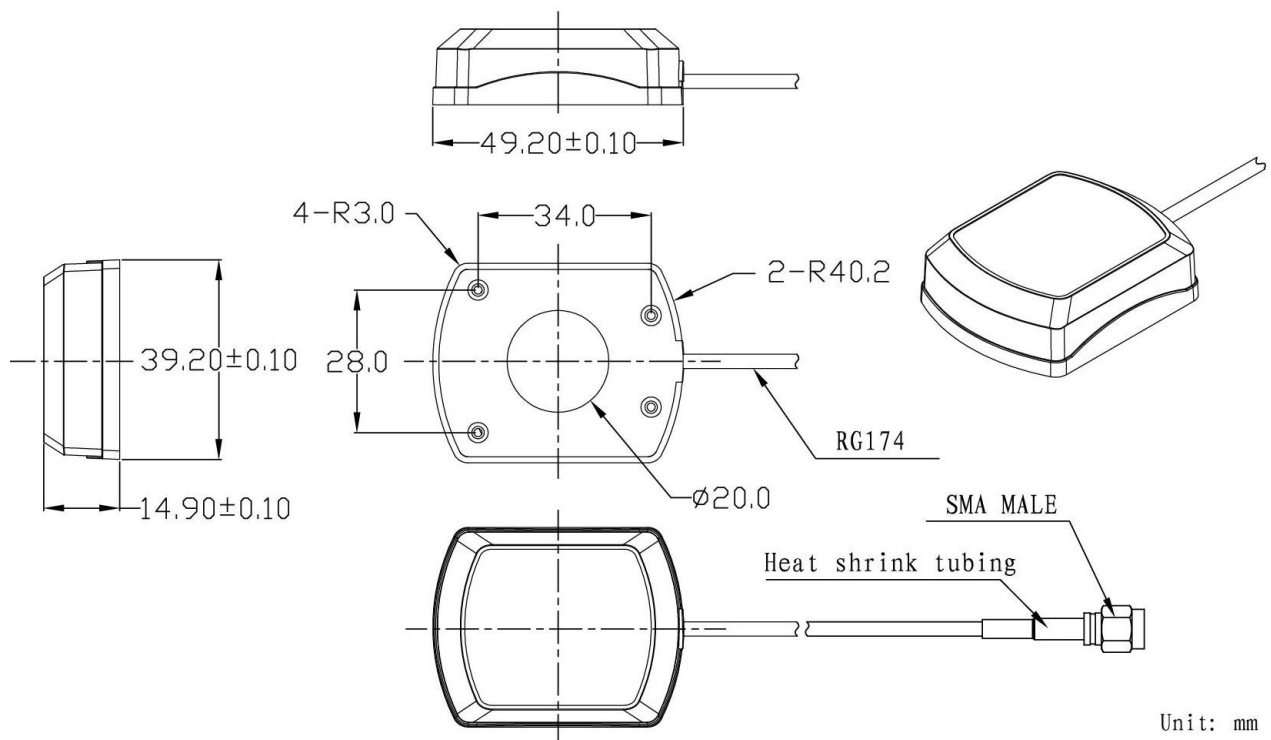




GPS+GLONASS Active Antenna TOP-GPS/GLS01



DIMENSIONS





TOP ELECTRONIC INDUSTRY CO., LTD.

www.topecind.com www.wirelesscommunicationmodule.com

SPECIFICATIONS

Item		Specifications
Antenna	Center Frequency	1592±3MHz
	Band Width	CF±5MHz
	Polarization	RHCP
	Gain	2dBic (Zenith)
	V.S.W.R	<1.5
	Impedance	50Ω
	Axial Ratio	3dB (max)
	Dimension	25*25*4mm
LNA	Gain	28±2dB
	Noise Figure	<1.5
	Filter Insertion Loss	<3dB
	Ex-band Attenuation	12dB@CF+50MHz/16dB@CF-50MHz
	Supply Voltage	2.2~5V DC
	Current Consumption	5~15mA
	V.S.W.R	<2.0
Mechanical	Cable	RG174
	Connector	SMA/MCX/FAKRA or others
	Radome Material	ABS
	Mounting Method	Magnet/Adhesive
Environmental	Operating Temperature	-40°C ~+85°C
	Relative Humidity	Up to 95%
	Ingress Protection	IP65~IP66
	Vibration	10 to 55Hz with 1.5mm amplitude 2hours
	Environmentally Friendly	ROHS Compliant

TOP ELECTRONIC INDUSTRY CO.,LTD

Rm407 27th Bldg,Nanhua Zone,Huaqiangnan,Futian Dist,SZ,GD,China

Tel: +86-755-8281 5110

Fax:+86-755-8281 5220

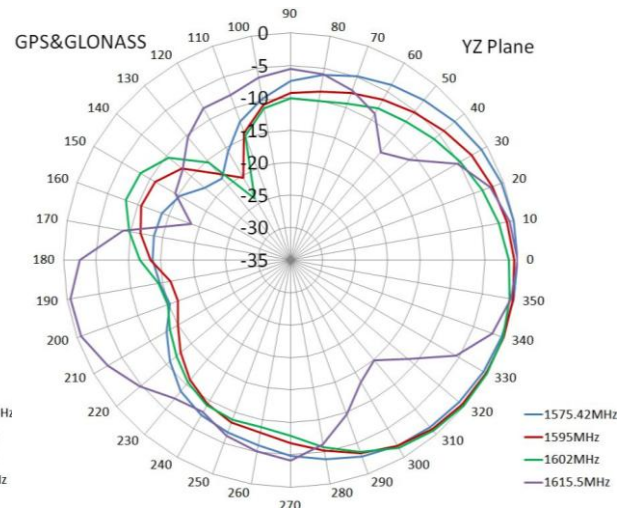
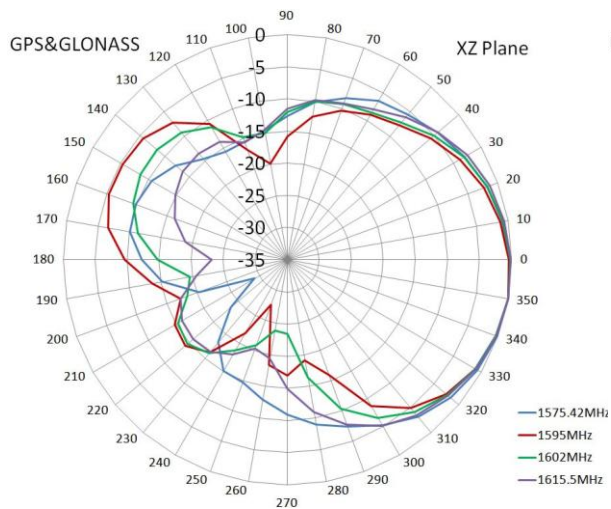
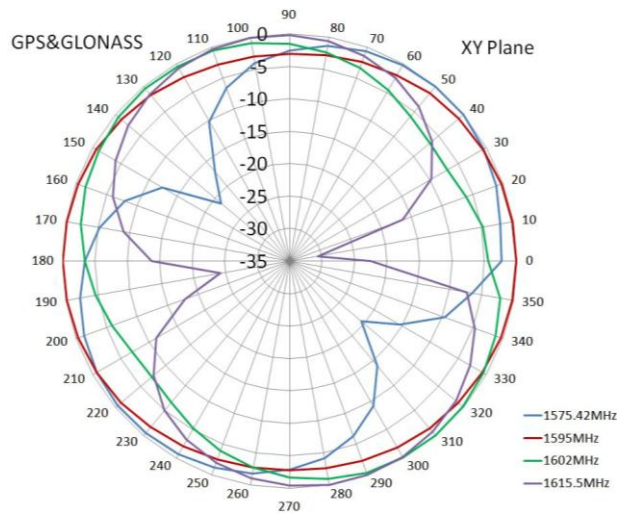
Web: www.topecind.com



TOP ELECTRONIC INDUSTRY CO., LTD.

www.topecind.com www.wirelesscommunicationmodule.com

Radiation Pattern



TOP ELECTRONIC INDUSTRY CO.,LTD
Rm407 27th Bldg,Nanhua Zone,Huaqiangnan,Futian Dist,SZ,GD,China
Tel: +86-755-8281 5110
Fax:+86-755-8281 5220
Web: www.topecind.com