



TOP ELECTRONIC INDUSTRY CO., LTD

www.topecind.com

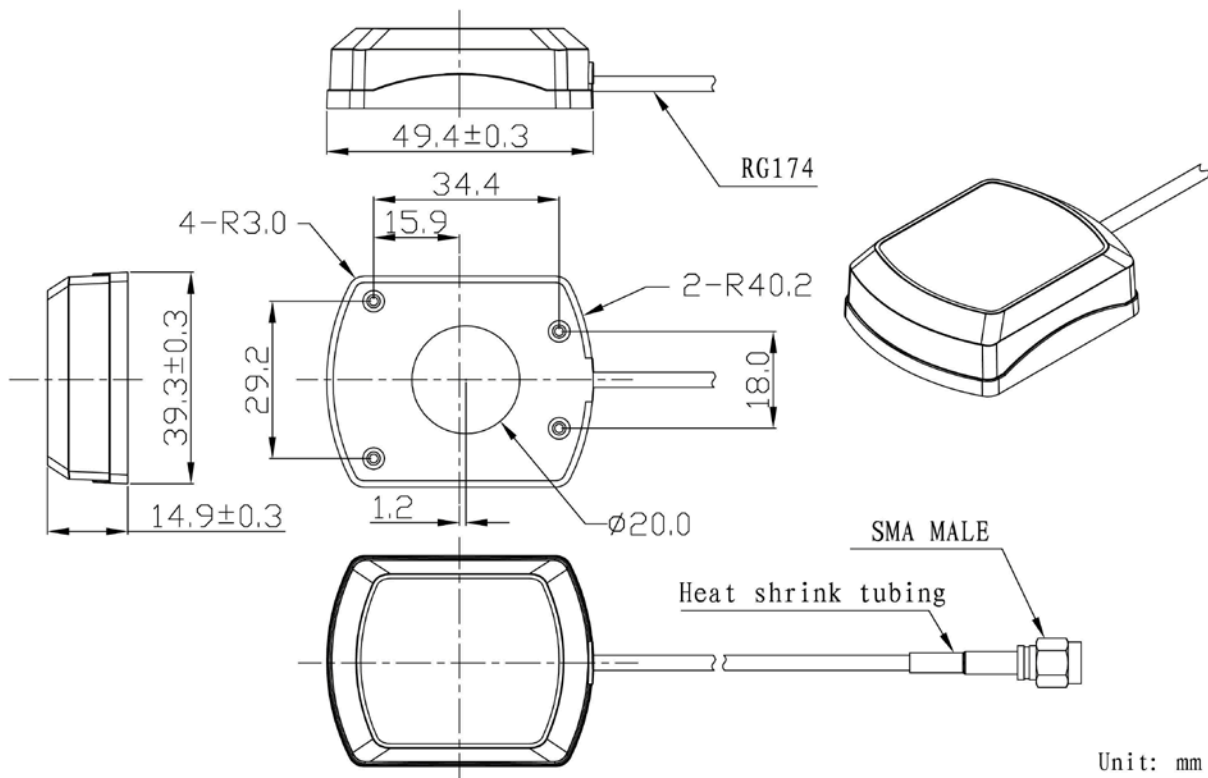
www.top-elecomponents.com

GPS Active Antenna

TOP-GPS01



DIMENSIONS



TOP ELECTRONIC INDUSTRY CO.,LTD

Rm407 27th Bldg,Nanhua Zone,Huaqiangan,Futian Dist,SZ,GD,China

Tel:+86-755-8281 5110

Fax:+86-755-8281 5220

Web: www.topecind.com



TOP ELECTRONIC INDUSTRY CO., LTD

www.topecind.com

www.top-elecomponents.com

SPECIFICATIONS

Item		Specifications
Antenna	Center Frequency	1575.42 ± 1MHz
	Band Width	CF ± 5MHz
	Polarization	RHCP
	Gain	5dBic (Zenith)
	V.S.W.R	< 1.5
	Impedance	50 Ω
	Axial Ratio	3dB (max)
	Dimension	25*25*4mm
LNA	Gain	28 ± 2dB
	Noise Figure	< 1.5
	Filter Insertion Loss	< 3dB
	Ex-band Attenuation	12dB@CF+50MHz/16dB@CF-50MHz
	Supply Voltage	2.2~5V DC
	Current Consumption	5~15mA
	V.S.W.R	< 2.0
Mechanical	Cable	RG174
	Connector	SMA/MCX/FAKRA or others
	Radome Material	ABS
	Mounting Method	Magnet/Adhesive
Environmental	Operating Temperature	-40°C ~ +85°C
	Relative Humidity	Up to 95%
	Ingress Protection	IP67
	Vibration	10 to 55Hz with 1.5mm amplitude 2hours
	Environmentally Friendly	ROHS Compliant

TOP ELECTRONIC INDUSTRY CO.,LTD

Rm407 27th Bldg,Nanhua Zone,Huaqianganan,Futian Dist,SZ,GD,China

Tel:+86-755-8281 5110

Fax:+86-755-8281 5220

Web: www.topecind.com

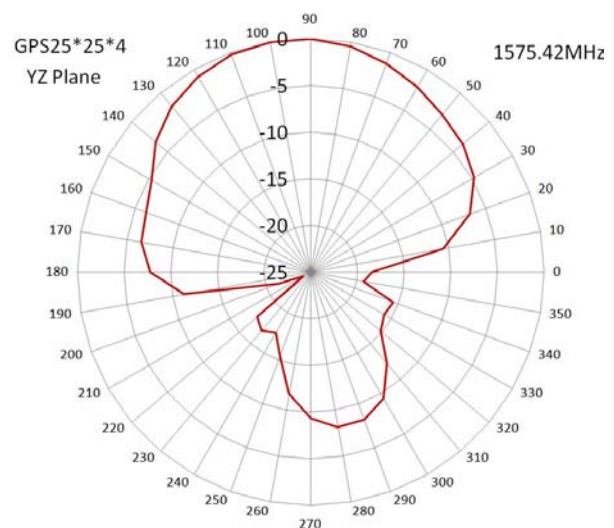
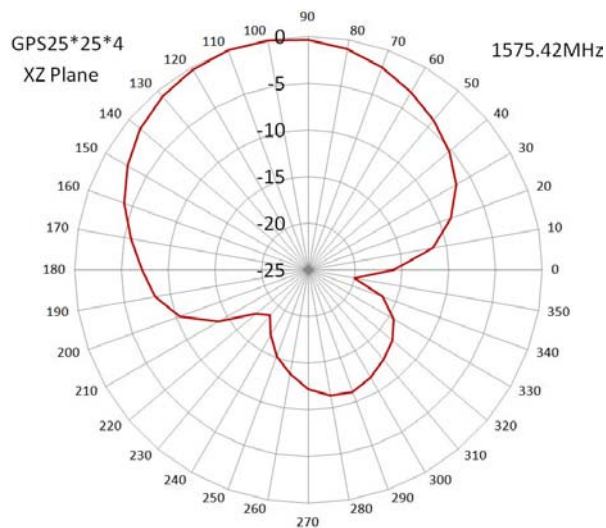
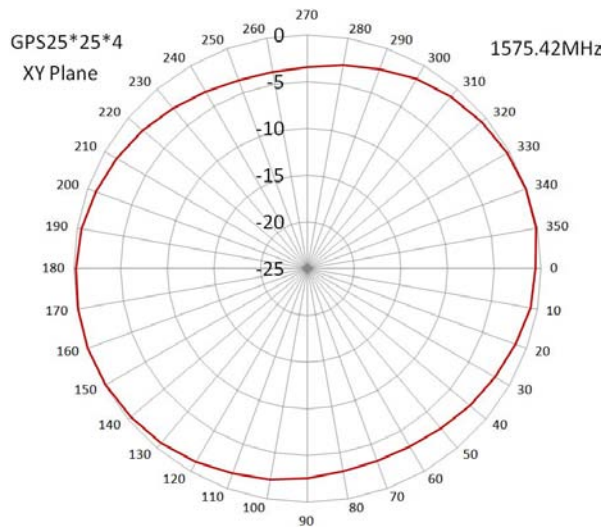


TOP ELECTRONIC INDUSTRY CO., LTD

www.topecind.com

www.top-elecomponents.com

Radiation Pattern



TOP ELECTRONIC INDUSTRY CO.,LTD

Rm407 27th Bldg,Nanhua Zone,Huaqiagnan,Futian Dist,SZ,GD,China

Tel:+86-755-8281 5110

Fax:+86-755-8281 5220

Web: www.topecind.com